

Product Data Sheet

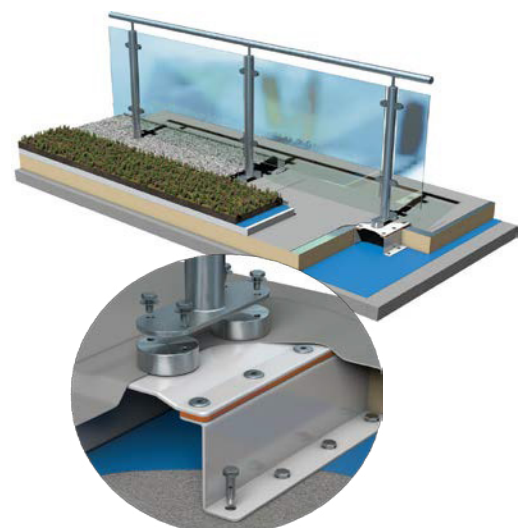
BALUSTRADE FIXING POINT (BFP)

For balustrades on warm and inverted roofs

The Balustrade Fixing Point is a thermally broken connection point for balustrades situated on warm roofs where the insulation is between the roof deck and the waterproofing membrane. It can be supplied with different flange materials to integrate with SBS and APP modified bitumen membranes or with PVC single-ply roofing membranes on warm and inverted roof build-ups on new build and refurbishment projects.

Key features

- Provides a direct connection to the building structure
- Patented seal technology
- Compatible with all roofing membranes and finishes
- Low profile and suitable for use in any plane
- Fully weatherproof, all fixings are below the membrane envelope
- Factory fitted flashing flange
- Reduces roof loads by avoiding requirement for ballast
- M10 threaded connection (supplied with 4no. M10 bolts)

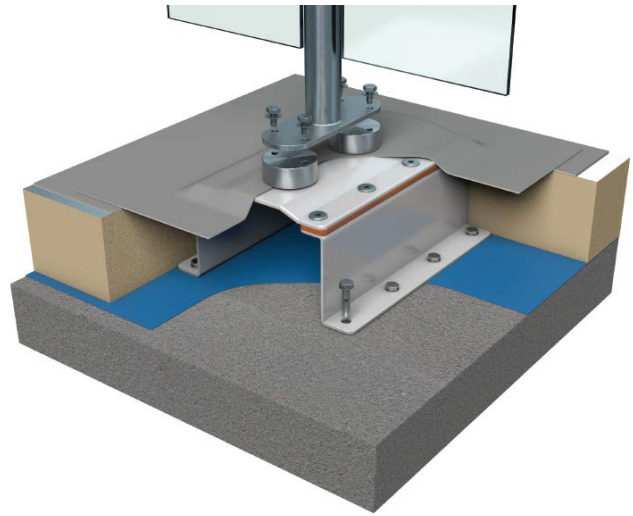


BFP for flat warm and inverted roof constructions

The BFP WPVC and WSBS is designed to provide a connection point for balustrade supports to flat warm roof constructions.

The BFP for warm and inverted roofs comprises a 350 x 200mm fixing plate with two anchor points each with 2 no. M10 x 20 blind threaded connection points. The fixing plate has 8 no. holes through which the plate is bolted to an extension piece manufactured to the thickness of the insulation. Fixings for fixing plate not included.

To weather the fixing plate the BFP is factory fitted with an appropriate flange material to enable it to be weathered or sealed to the main roof area. A connection plate can be supplied in 10mm mild steel or stainless steel for connecting the balustrade to the fitting. This BFP can also be used on inverted roofs.



Materials

304 stainless steel anchor point – machined finish

Mild steel fixing plate – polyester powder coat finish

Weathering flange – material to match main roof weathering system

Balustrade connection plate - mild steel or stainless steel

Dimensions

OA height from warm roof construction membrane 59mm

4 no. fixing points 2 no. M10 x 20 (M10 bolts included)

Distance between anchors 150mm

Fixing plate 225 mm x 375mm x 6mm

Fixing holes: 8no. fixing holes 15mm Ø holes Nuts

Flange sizes:

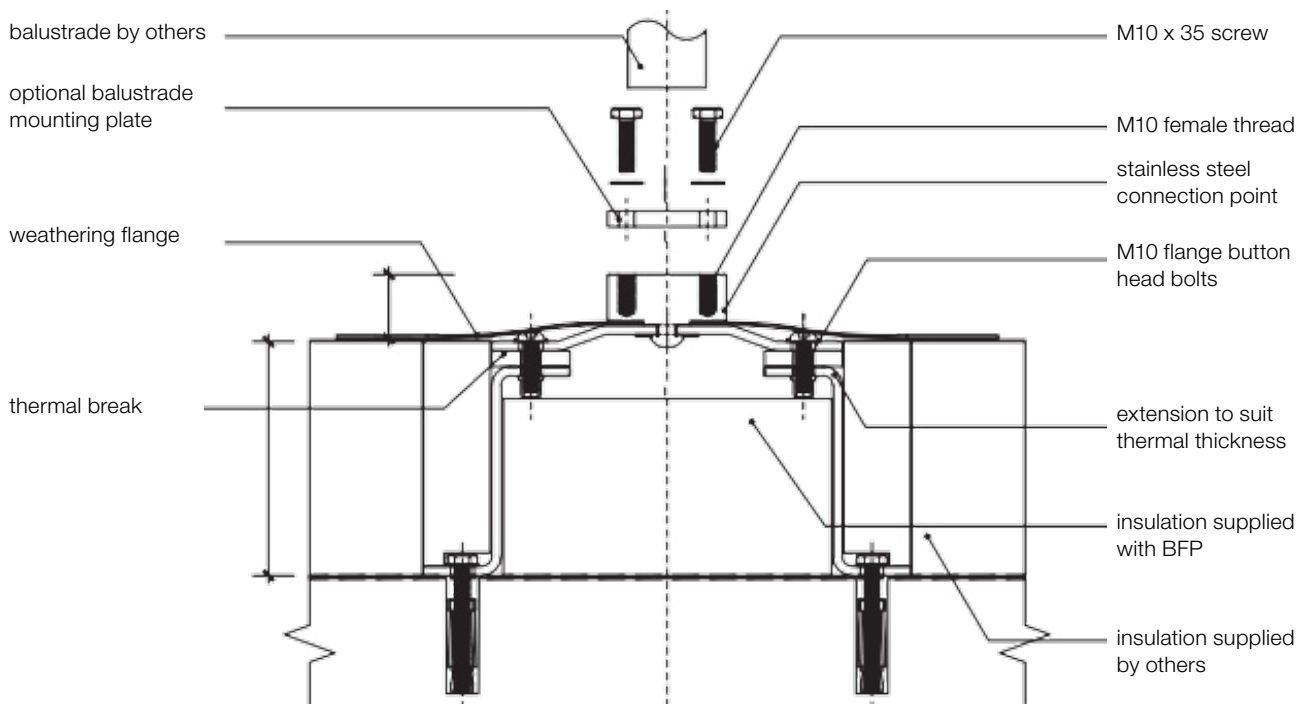
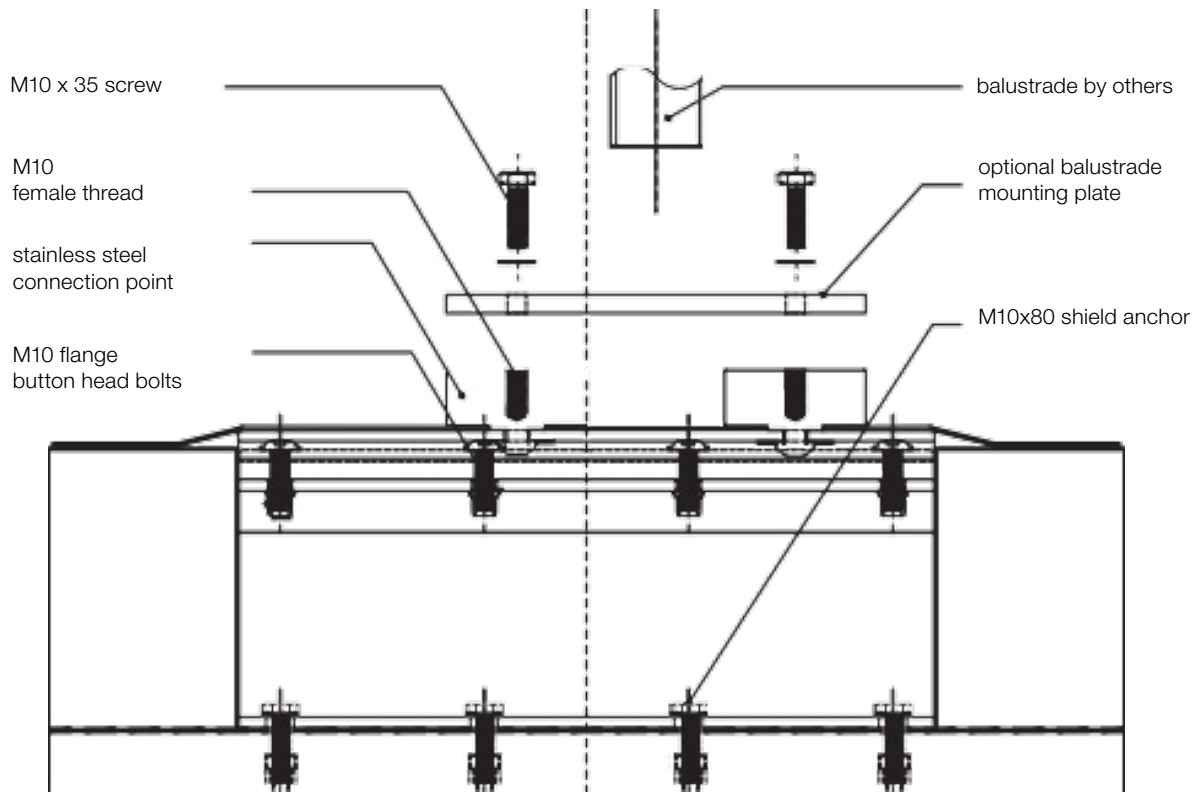
425mm x 575mm for single ply membranes

525mm x 675mm for SBS and APP modified bitumen

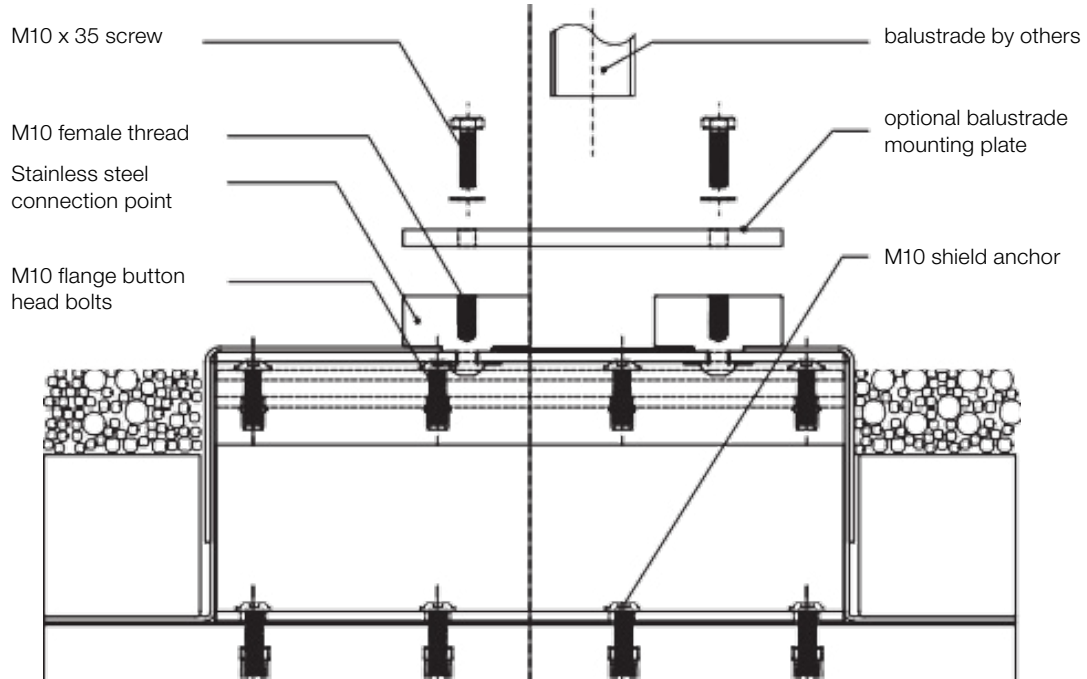
Fixing options:

Bolted directly to the substrate

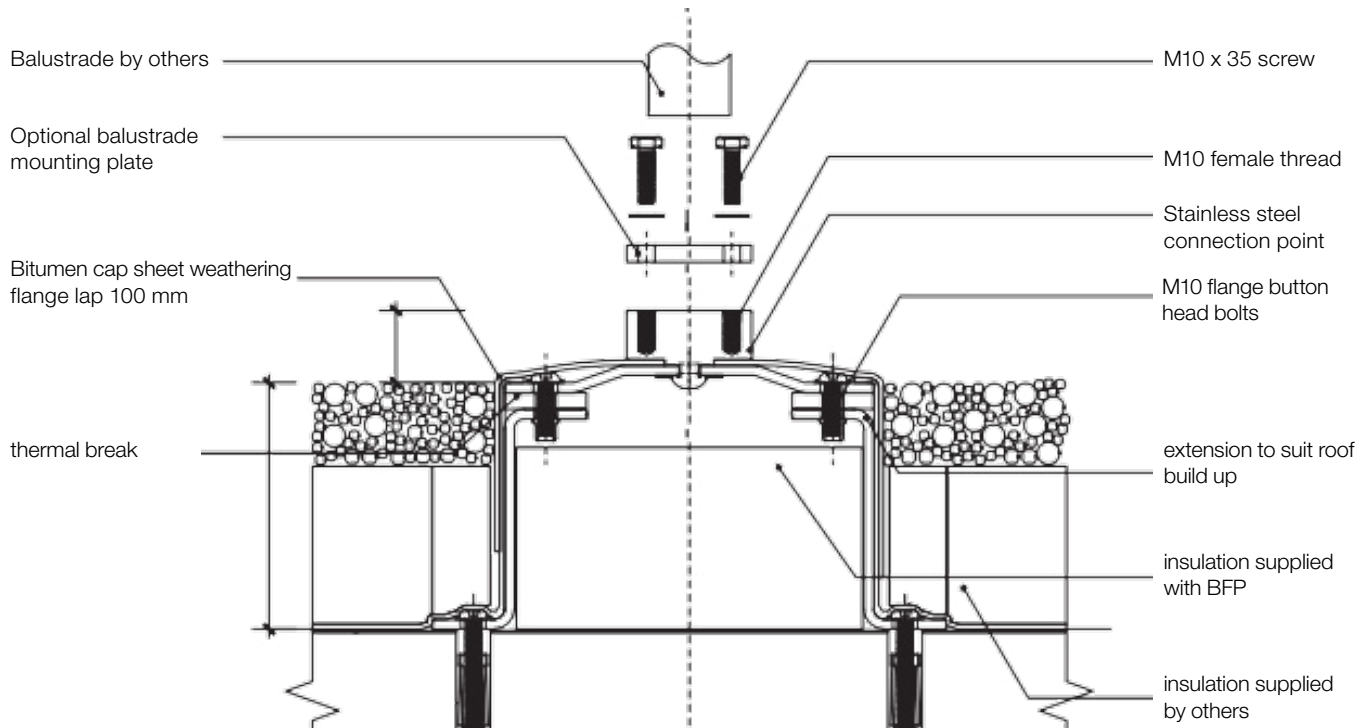
BFP - Warm roof section



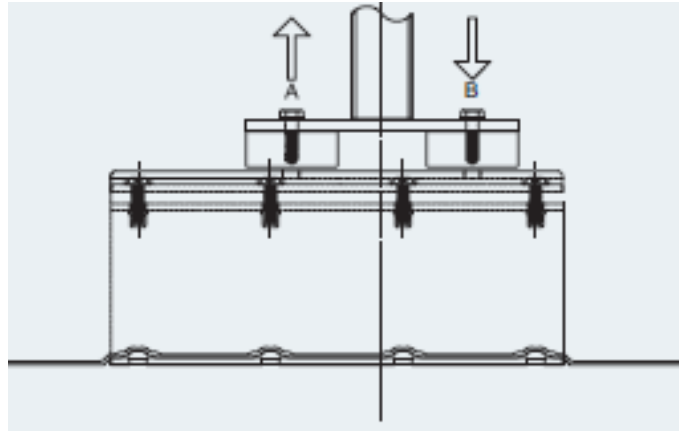
BFP - Inverted roof section



BFP – inverted section



Load ratings



The following values assume that the supporting structure is of adequate stability to support the design values that will be imposed on the BFP WPVC / WSBS. All designs and calculations should take into account the supporting substrate and balustrade construction and should be compliant with current regulation requirements.

The BFP should always be positioned so that the two fixing points are perpendicular to the line of the balustrade.

Maximum applied axial loads to the BFP

At 'A'	25kN
At 'B'	25kN

Typical load values on plywood roof deck

Based on in-house test rig results with 18mm and 25mm plywood on 50 x 150 joists at 400mm ccs. A 1100mm high balustrade support had force applied until 25mm deflection was reached due to plywood deformation. This test produced transferred forces as follows:

18mm plywood

At 'A'	8.23kN
At 'B'	7.23kN

25mm plywood

At 'A'	11.20kN
At 'B'	10.20kN

It is essential that the use of the BFP in any design is approved by a competent structural engineer.

The manufacturer reserves the right without prior notice to modify the composition of these products. Characteristics provided in this publication derive from data obtained under controlled test conditions. Axter Ltd makes no warranties, express or implied, as to the properties and performance under any variations from such conditions in actual construction.