

Product Data Sheet

ADJUSTABLE PAVING SLAB SUPPORTS

Roof Finishes

Axter adjustable paving supports are designed to support paving slabs, decking or concrete/ceramic tiles on pedestrian access roofs.

Installed directly on to a suitable waterproofing system, insulation or mastic asphalt, the supports are for use on inverted roofs or a cementitious protective screed in multi-layer waterproofing systems.

Non-Combustible Adjustable Paving Supports

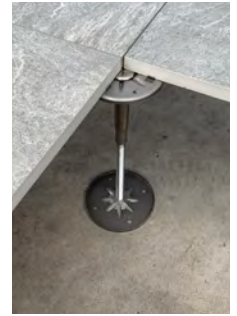
In compliance with the latest edition of Building Regulations guidance Approved Document B – Fire Safety, Axter's non-combustible adjustable paving supports with circular or square base meet the Class A1 set out in BS EN 13501-1 and are designed for flat roofs, balconies and terraces.

Non-Combustible Adjustable Paving Supports (circular base)

These are manufactured from 100% class A1 thick galvanised steel with no plastic or rubber components and are fully adjustable to achieve a range of heights by twisting the telescopic stem even when the slab or tile is in place. A special click-head is available for decking supports, and to fix aluminium joist bearer supporting decking boards / sheets. The clickhead headpiece is made from stainless steel with powder coated finish to prevent reaction between steel and aluminium. The supports are suitable for non-combustible balcony and terrace projects and comply fully with BS 8579.

Key benefits

- Non-combustible, 100% full metal pedestal
- Ideal for roof decks, terraces, podiums, balconies
- Adjustable height range between 25 mm to 300 mm
- Supports all types of calibrated paving, including natural stone, concrete and porcelain
- 150 mm diameter circular baseplate giving greater lateral stability
- Weight tolerance of over 1 tonne each
- Smooth underside and edges prevent digging into substrate
- Bespoke headpieces for paving and decking
- Height can be adjusted when slabs/decking are in position



The unit is manufactured from 2 mm thick steel with a large 150 mm diameter circular baseplate to distribute weight evenly and provide lateral stability. The perimeter of the baseplate is rounded upwards to avoid any sharp edge and eliminate the chance of puncturing the material beneath.

The headpiece is 120 mm in diameter and has four positioning lugs 2 mm thick integrated into the surface. The lugs are part of the headpiece, not separate brackets clipped to the top.



click-head for decking supports

Non-Combustible Adjustable Paving Supports (circular base)

Technical Specification	
Application	Paving, Decking (with click-head), Dalle Ceramic tiles
Material	2 mm Galvanised Steel
Reaction to fire	Class A1 BS EN 13501-1
Height	25 – 32 mm
	32 – 39 mm
	39 – 46 mm
	46 – 53 mm
	53 – 70 mm
	70 – 100 mm
	100 – 140 mm
	140 – 220 mm
	220 – 300 mm

Technical Specification	
Weight tolerance	1000 kg
Base plate diameter	150 mm diameter
Baseplate features	Circular baseplate
	8 x drilled drainage holes 5 mm dia.
	4 x drilled fixing holes 8 mm dia.
Head piece dimensions	120 mm diameter
Self-levelling headpiece	5% angle in all directions
Lug width	2 mm
Lug height	10 mm
Fixing points	n/a
Headpiece interface	Any straight edge tile / slab / stone flag
Stem type	Solid threaded stem
Stem diameter	16 mm
Stem features	Integrated limit stretch to avoid separation of stem from headpiece

Non-Combustible Adjustable Paving Supports (square base)

Fully non-combustible paving supports manufactured from steel with zinc nickel corrosion-resistant finish and available in a wide range of heights.

Key benefits

- Non-combustible (Euroclass A1 and A1_{FL} fire rated) paving pedestal
- Ideal for roof decks, terraces, podiums, balconies
- 60 year design life
- Provide safe, strong support for all types of calibrated paving, including natural stone, concrete and porcelain
- Adjustable height between 22 mm and 505 mm
- High resistance to deformation, cracking, splitting, warping
- 4 mm lugs as standard (2 mm available on request)
- Each pedestal capable of supporting loads in excess of 4400 kg

An optional 1mm self-adhesive

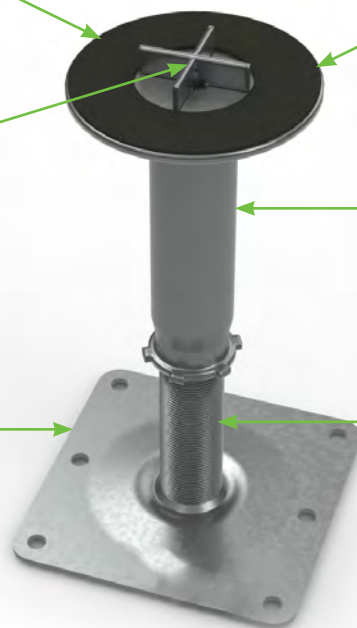
Shock-Absorbent Gasket is available for use with metal spacer to enhance shock absorption and sound reduction.

Paving Space Gasket:

10 mm high metal provides consistent nominal spacing between slabs (choose from either 4 mm or 2 mm). Easily slides to provide two-tab option for tile edges.

Wide supporting base:

completely flat to spread load and to protect membrane and surfaces. Holes enable pedestals to be fixed if required. The 3 mm rubber base mentioned in the table below* must also be used to protect the waterproofing/insulation.



Rigid pedestal head

welded to upper threaded section, providing rigid support for paving.

Upper threaded section:

internally threaded rigid tube, allowing easy and accurate adjustment within given height range.

Lower threaded section:

externally threaded rigid tube, featuring locking ring for full stability.

Non-Combustible Adjustable Paving Supports (square base)

Technical Specification		
Product material	Mild Steel	
Finish	Aztec Zinc Nickel corrosion resistant finish	
Height range	NCPS22	22 – 35 mm
	NCPS35	35 – 50 mm
	NCPS50	50 – 70 mm
	NCPS70	70 – 115 mm
	NCPS115	115 – 205 mm
	NCPS205	205 – 305 mm
	NCPS305	305 – 405 mm
	NCPS405	405 – 505 mm
	NCPSRB	*3mm rubber base for non-combustible paving support (25 / bag)
Compression	1000 kg+	
Base diameter	120 x 120 mm	
Head diameter	90 mm	
Spacer tab thickness	2 or 4 mm (4 mm supplied as standard)	
Biological / chemical	Resistant to moulds, algae, alkali, bitumen, UV	

Non-Combustible Stackable Paving Supports (10 mm option)

The 10mm Stackable Non-Combustible Paving Support offers a very low-height paving application support system. The supports can be stacked at a 45° angle to create 10 mm increments of stacking, or directly stacked to achieve 2 mm increments (up to 10 supports high).

Key benefits

- Suitable for all calibrated paving types including natural stone, concrete and porcelain
- 60 year design life
- Simple, easy to use solution
- Strong (Zinc-Nick electroplated mild steel)
- Each support is capable of supporting loads in excess of 1000 kg
- Efficient drainage holes



Spacer tabs

Creates a perfectly uniform 4mm gap between tiles.

Drainage holes

Ensures fast and efficient rainwater drainage.

Simple height build-up

Supports can be stacked up to 10 high.

45° stack Builds height in 10mm increments



Direct stack Builds height in 2mm increments



Locator slots

Simply and quickly locate positioning for 45° stacking.

Optional: Gasket & Shockpad

For enhanced shock-absorption and sound reduction.



1mm
self-adhesive
levelling
gasket part



3mm
rubber shock pad

Technical Specification	
Product material	Zinc-nickel electroplated mild steel
Height	10 mm (buildable up to 100 mm in increments of 2 or 10 mm)
Compressive strength	1000kg per support
Dimensions	170 x 170 mm
Spacer tab thickness	4 mm
Biological/chemical	Resistant to moulds, algae, alkali, bitumen, UV

Other Adjustable Paving Supports

Axter copolymer propylene adjustable paving supports are designed to support paving slabs, concrete/ceramic tiles or timber decking on pedestrian access roofs.

Key benefits

- Easy to transport, store, handle and install
- Corrosion and maintenance-free
- Available in five adjustable versions (height range 8 mm to 590 mm).
- High resistance to deformation
- Supplied in reinforced, humidity-resistant, re-usable bags



Description

Pre-fabricated units comprising:

- Head with wings directly supporting the paving slab (100 cm²)
- Collar and regulating screw
- Reinforced base plate (bearing surface 300 cm²)
- A 110 mm **paving slab support extension** is also available to allow greater height adjustments (up to three can be stacked on any sized paving slab support)



Product range and packaging

Product	Quantity/bag	Bags/pallet
Adjustable paving support height 8-20 mm	100	18
Adjustable paving support height 25-40 mm	100	18
Adjustable paving support height 40-60 mm	60	18
Adjustable paving support height 60-90 mm	50	18
Adjustable paving support height 90-150 mm	30	18
Adjustable paving support height 150-260 mm	25	18
110 mm paving slab support extension*	60	18

- *A 110 mm paving slab support extension is also available to allow greater height adjustments. These are available in bags of 60, 18 bags/pallet.

Adjustable Paving Supports

Technical Specification		
Product material	Copolymer polypropylene with calcium carbonate	
	1927010	8 – 20 mm
	1927025	25 – 40 mm
	1927042	40 – 60 mm
	1927062	60 – 90 mm
	1927092	90 – 150 mm
	1927153	150 – 260 mm
Base surface	>300 cm ²	
Head surface	100 cm ²	
Eccentric load on one corner of the support	>250daN	
Total distributed load per support	>500daN	

Note: to the head of the support, there is a 2 mm lug. This should be included in spacing and depth measurements.

Can be used in following temperature range: -30° C to +50° C.

Installation

Adjustable paving slab supports can be cut to install slabs at roof edges and corners.

Paving slabs are laid on to the supports.

The spacers on the platform head provide an outlet for water.

Maximum slope is 5%.

Variations in size and composition will be in accordance with manufacturer’s specifications.

Storage

Store in a cool place, away from heat.

The manufacturer reserves the right without prior notice to modify the composition of these products. Characteristics provided in this publication derive from data obtained under controlled test conditions. Axter Ltd makes no warranties, express or implied, as to the properties and performance under any variations from such conditions in actual construction and accepts no responsibility for incorrect use of product.