

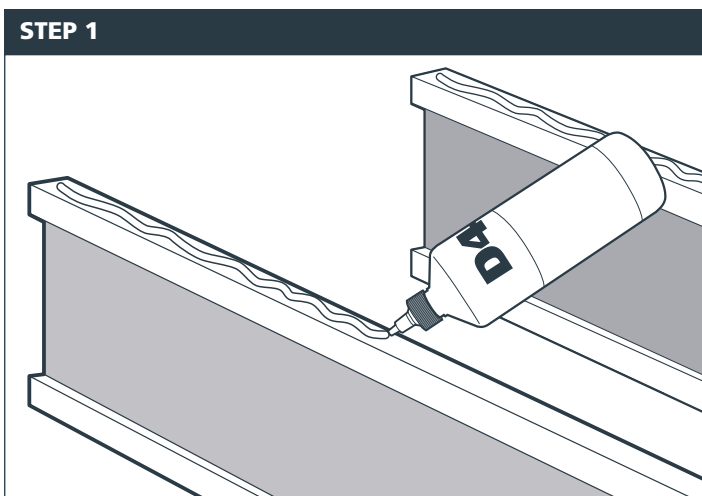
SMARTPLY SURE STEP DB

INSTALLATION GUIDELINES

SMARTPLY SURE STEP DB panels should be installed by following the fixing, expansion gap and general layout guidelines detailed in the SMARTPLY FLOOR datasheet. To ensure the longevity and durability of the protective system the panels joints should be protected and sealed with glue and tape to ensure optimum protection from the weather. This is in addition to mechanical fixings required to create the floor diaphragm.

STEP BY STEP INSTALLATION WITH GLUE AND TAPE:

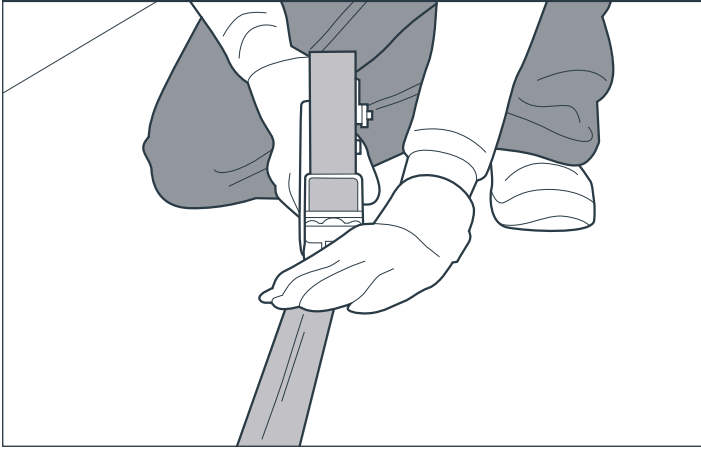
To maximise the benefits of the reduced slip potential coating the general floor installation guidelines (SMARTPLY FLOOR DATASHEET) should be followed as well as the specific gluing and taping instructions provided below:



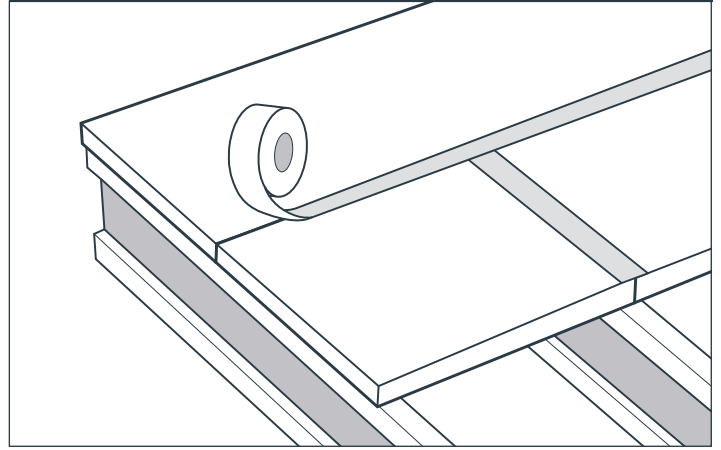
Apply one continuous bead of D4 rated (EN 204) adhesive to the top of the joists and noggins corresponding to the area of the 1st panel to be installed.



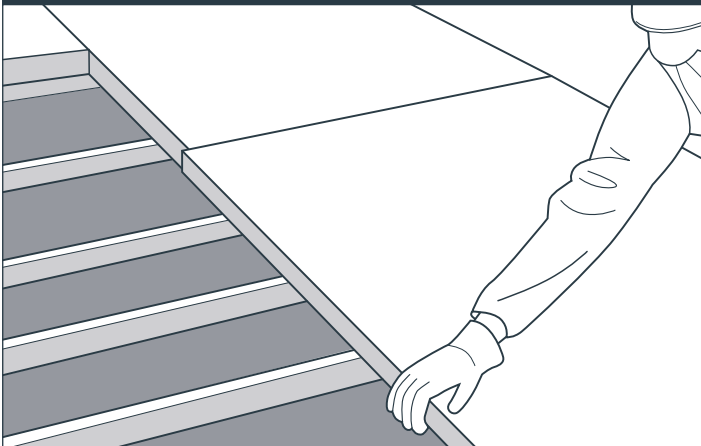
Install the first panel following guidelines and best practices, including fixings centres and types. The fixings heads should be flush or just below the panel surface.

STEP 3

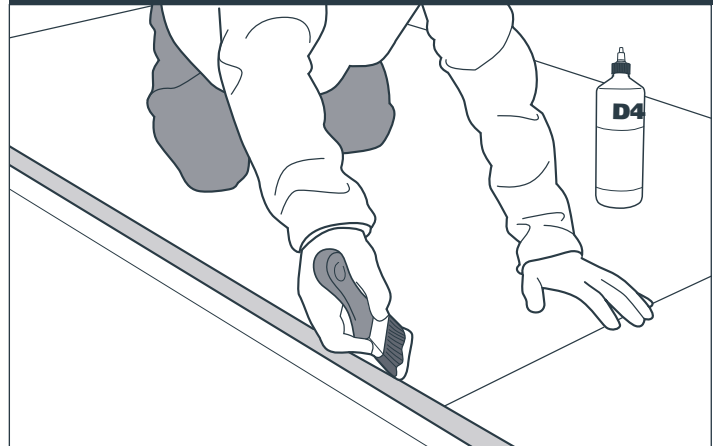
Apply one bead of D4 rated (EN 204) adhesive on both the tongue and groove of the joints about to be installed making sure that the entire joint is bonded. The joint should then be sealed with a specialist waterproof high-performance polyethylene-coated cloth tape. The surface of the panel should be clean and dry before applying the tape. This will prevent moisture ingress in the joint and edge swelling. The tape should be pressed on the panel firmly (a rubber roller or rubber knife can be used to avoid damaging the tape) to ensure a strong and waterproof bond with the panel.

STEP 4

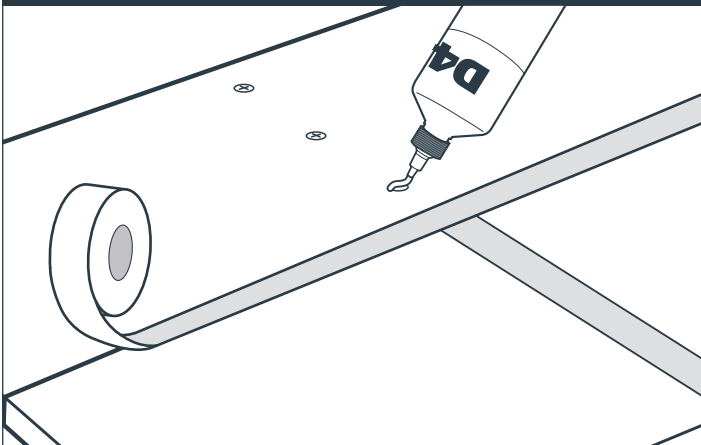
All floor joints should be sealed and protected with a specialist waterproof high-performance polyethylene-coated cloth tape. This will prevent moisture ingress in the panel edge and edge swelling.

STEP 5

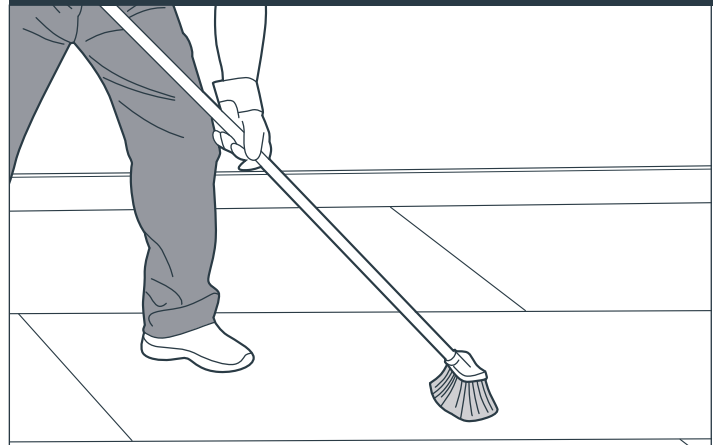
Continue installing the panels as required in a staggered pattern by repeating the fixing, gluing and taping steps for each panel.

STEP 6

All exposed edges should be sealed by applying a continuous layer of D4 rated (EN 204) adhesive by using a brush or by wrapping a specialist waterproof high-performance polyethylene-coated cloth tape around the edges.

STEP 7

Fixing heads should be sealed by applying a bead/drop of D4 rated (EN 204) adhesive or by tape.

STEP 8

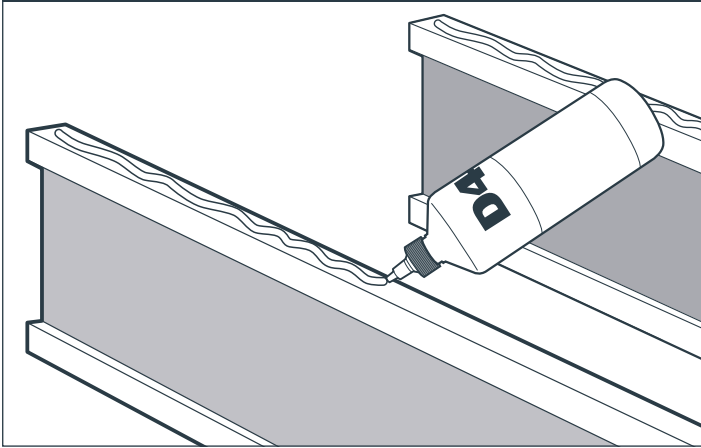
After any construction work has been completed the floor should be cleaned.

STEP BY STEP INSTALLATION WITH GLUE:

SMARTPLY SURE STEP DB panels can be installed by using glue only, however durability tests have shown that this will result in reduced performance such as cracking of the coating visible sooner than when installed with specialist waterproof tape to seal the panel joints.

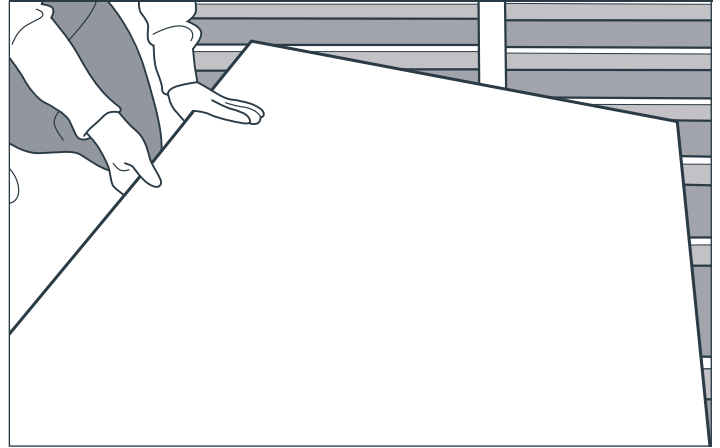
To maximise the benefits of the reduced slip potential coating the general floor installation guidelines (SMARTPLY FLOOR DATASHEET) should be followed as well as the specific gluing instructions provided below:

STEP 1



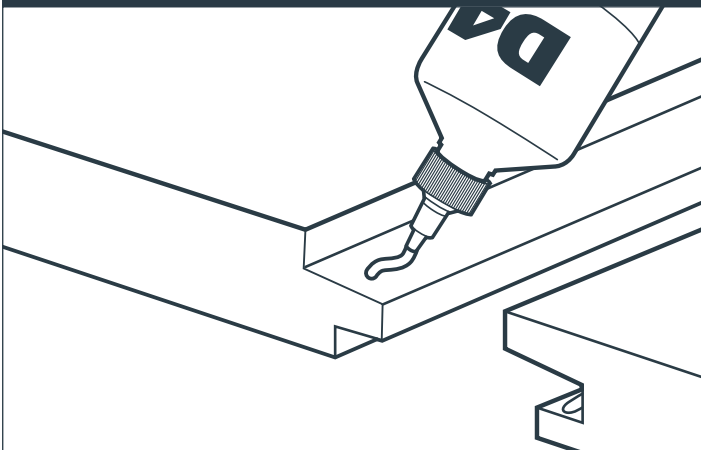
Apply one continuous bead of D4 rated (EN 204) foaming adhesive to the top of the joists and noggins corresponding to the area of the 1st panel to be installed.

STEP 2



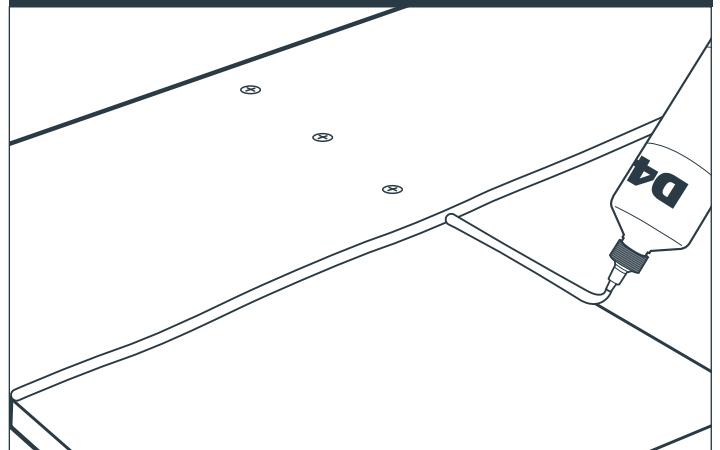
Install the first panel following guidelines and best practices, including fixings centres and types. The fixings heads should be flush or just below the panel surface.

STEP 3

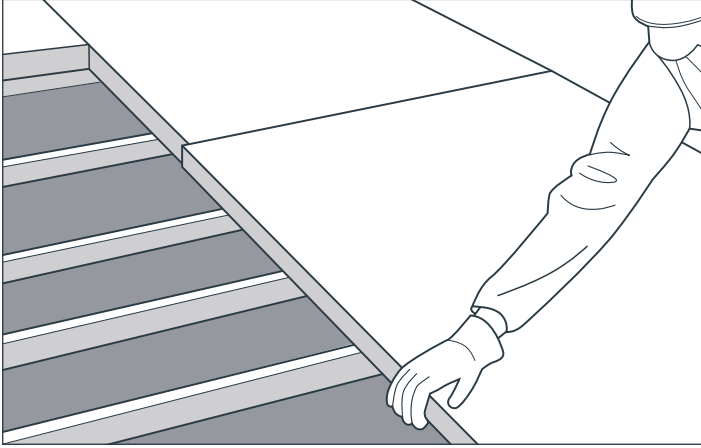


Apply one bead of D4 rated (EN 204) foaming adhesive on both the tongue and groove of the joints about to be installed making sure that the entire joint is bonded. The adhesive should foam out of the joints on the panel surface once installed to help seal the joint and prevent water ingress and edge swelling.

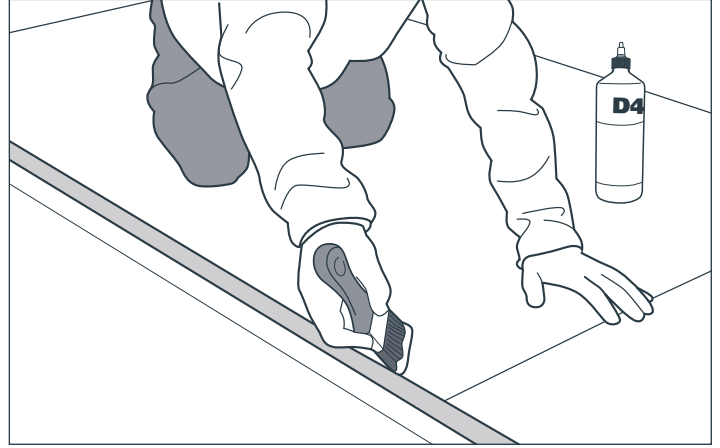
STEP 4



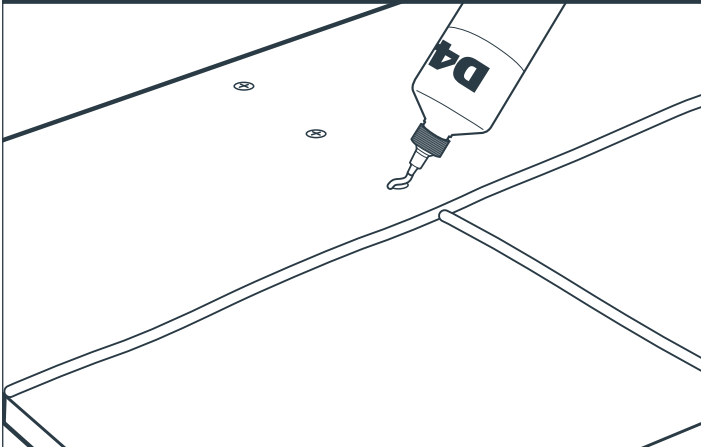
Apply one bead of D4 rated (EN 204) foaming adhesive on the cut edges on top of the joists allowing the adhesive to foam out on the panel surface to help seal the joint and prevent water ingress and edge swelling.

STEP 5

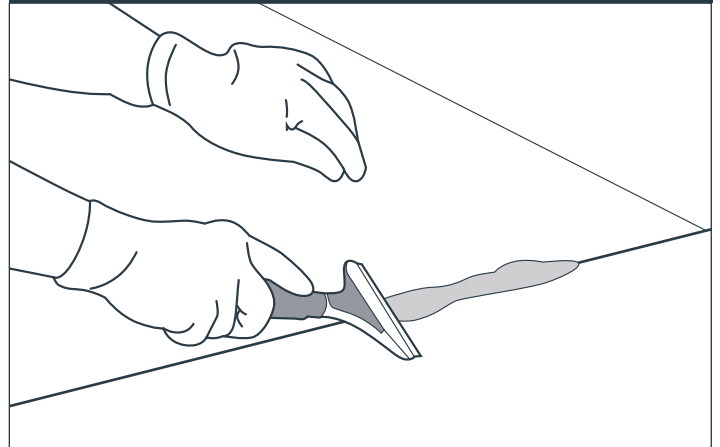
Continue installing the panels as required in a staggered pattern by repeating the gluing and fixing steps for each panel.

STEP 6

All exposed edges should be sealed by applying a continuous layer of D4 rated (EN 204) foaming adhesive by using a brush.

STEP 7

Fixing heads should be sealed by applying a bead/drop of D4 rated (EN 204) foaming adhesive.

STEP 8

After any construction work has been completed the floor should be cleaned. The expanded foam should only be removed with a scraper when the building is weathertight to prevent water ingress and edge swell.