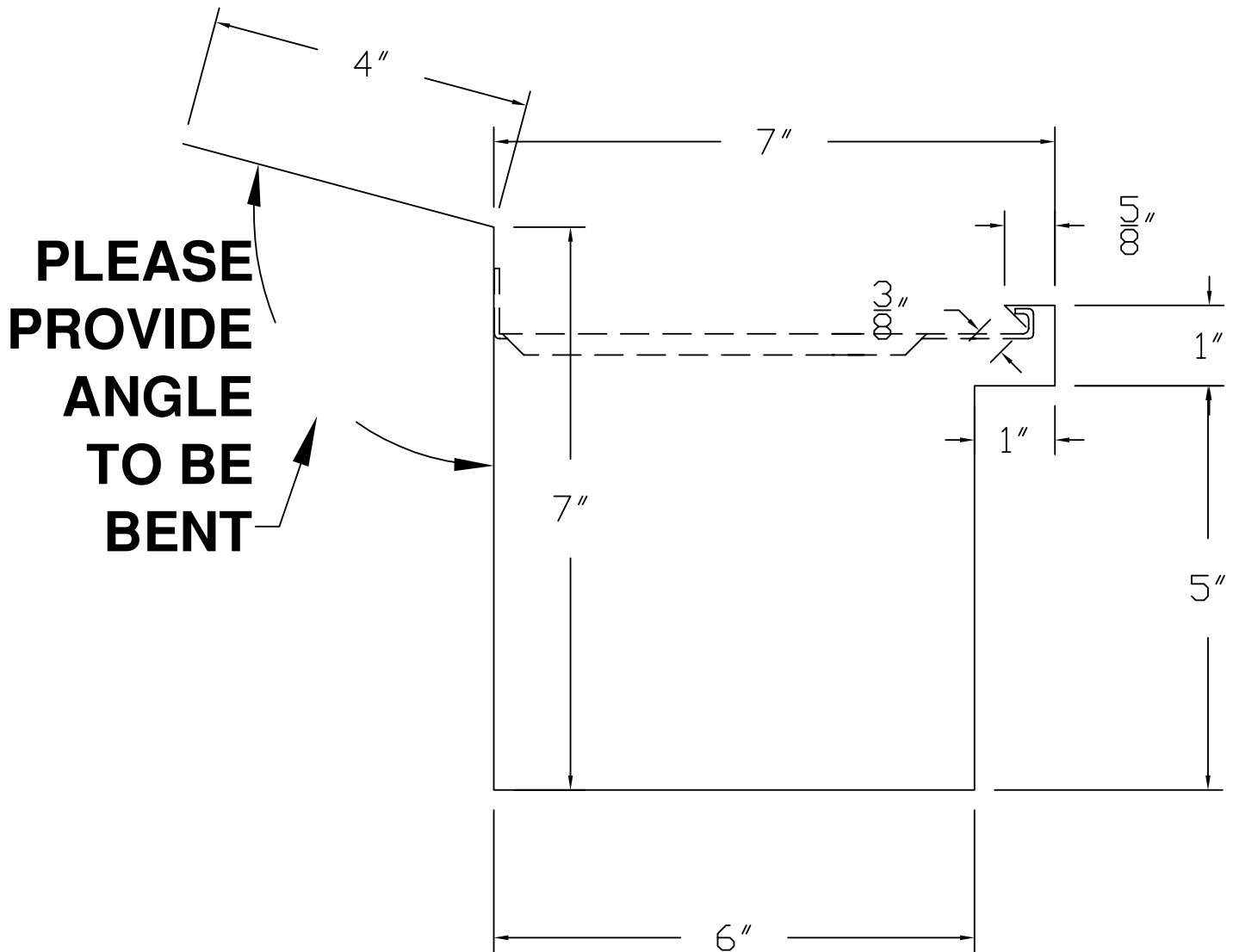


Rutland Gutter Supply Inc

sales@rutlandguttersupply.com Ph: 407-859-1119

7" BOX GUTTER WITH FLANGE



Company:	Item: 7" BOX GUTTER WITH FLANGE
Invoice:	Material:
PO#:	Notes:
Architect:	
Contractor:	
Date:	
Approved by:	
Signature:	

CUSTOM ORDERS CAN NOT BE RETURNED