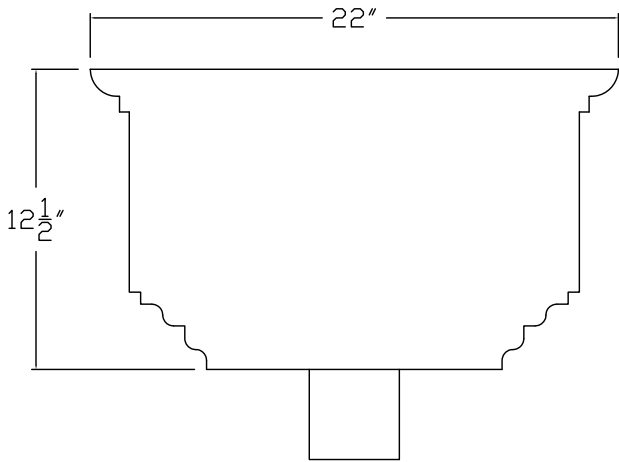


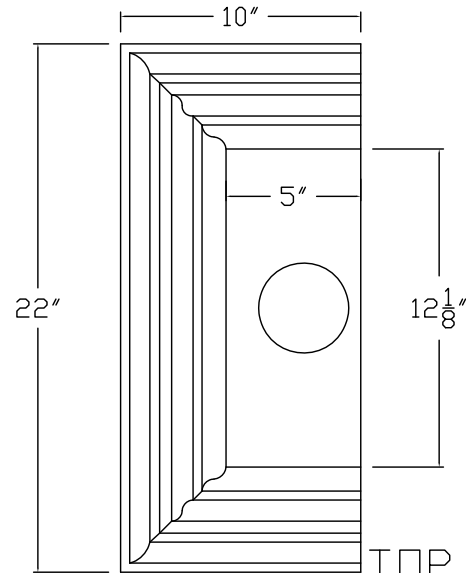
# RUTLAND GUTTER SUPPLY LLC

sales@rutlandguttersupply.com Ph: 407-859-1119 Fax: 407-859-1123

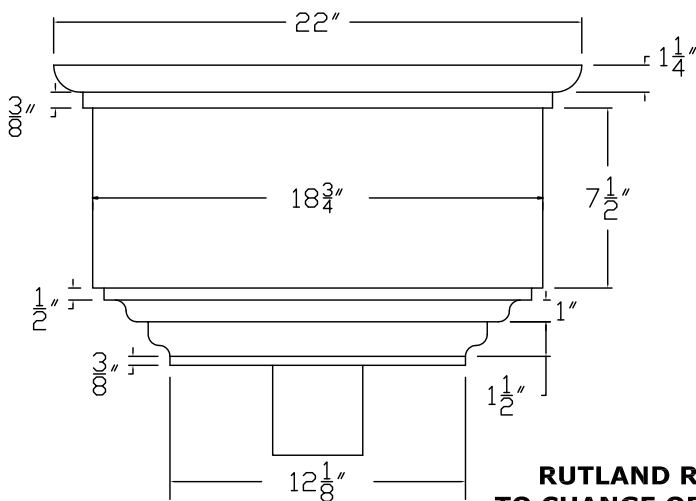
## LH028 CHATHAM



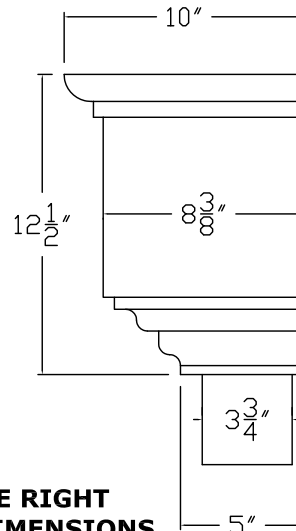
BACK VIEW



TOP VIEW



FRONT VIEW



SIDE VIEW

**RUTLAND RESERVES THE RIGHT TO CHANGE OR MODIFY. DIMENSIONS SHOWN ARE FOR REFERENCE ONLY**

|                     |                    |
|---------------------|--------------------|
| <b>Company:</b>     | <b>Item:</b> LH028 |
| <b>Invoice:</b>     | <b>Material:</b>   |
| <b>PO#:</b>         | <b>Notes:</b>      |
| <b>Architect:</b>   |                    |
| <b>Contractor:</b>  |                    |
| <b>Date:</b>        |                    |
| <b>Approved by:</b> |                    |
| <b>Signature:</b>   |                    |

**CUSTOM ORDERS CAN NOT BE RETURNED**