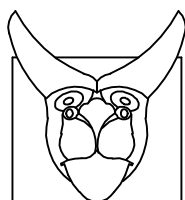
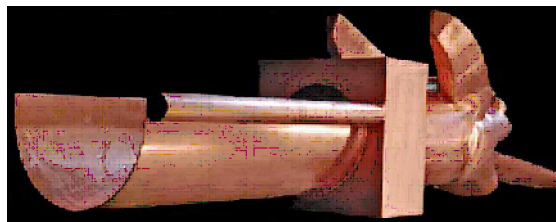
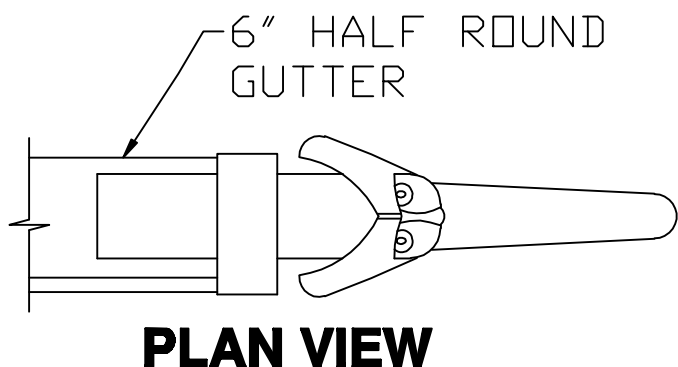


RUTLAND GUTTER SUPPLY LLC

rutlandguttersupply@yahoo.com Ph: 407-859-1119 Fax: 407-859-1123

GARGOYLE RAIN SPOUT

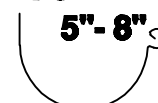


****PLEASE SPECIFY WHETHER IT WILL BE A LEFTHAND OR RIGHT HAND OUTLET****

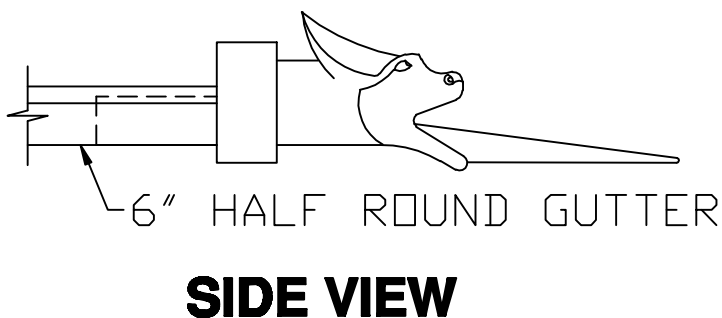
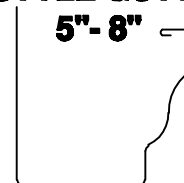
**CAN ALSO BE USED WITH:
HALF ROUND W/OUTSIDE BEAD**



HALF ROUND W/INSIDE BEAD



K-STYLE GUTTER



Company:	Item: GARGOYLE RAIN SPOUT
Invoice:	Material: COPPER
PO#:	Notes:
Architect:	
Contractor:	
Date:	
Approved by:	
Signature:	

CUSTOM ORDERS CAN NOT BE RETURNED