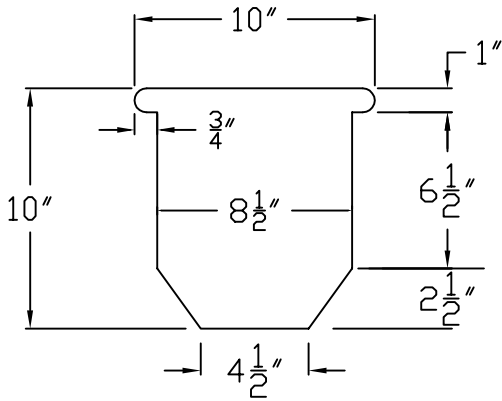


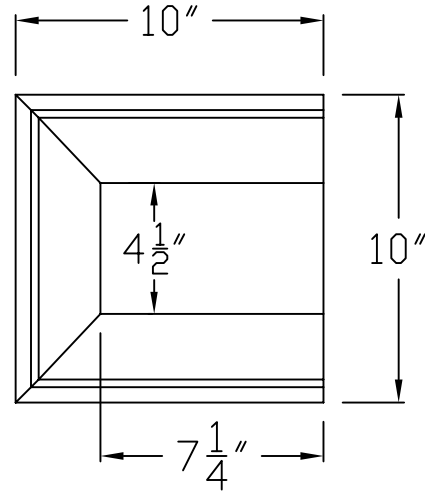
RUTLAND GUTTER SUPPLY LLC

sales@rutlandguttersupply.com Ph: 407-859-1119 Fax: 407-859-1123

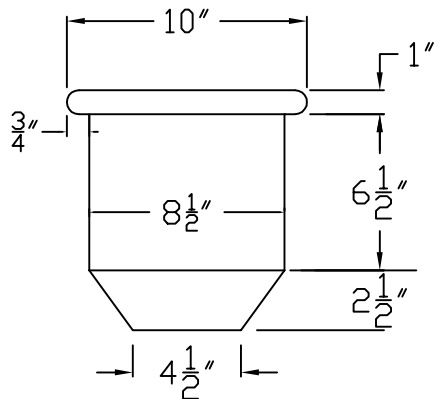
LH001 MARLOW



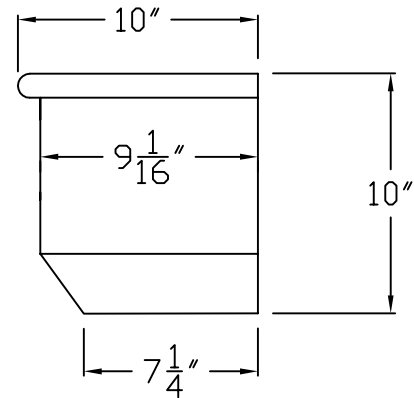
BACK VIEW



TOP VIEW



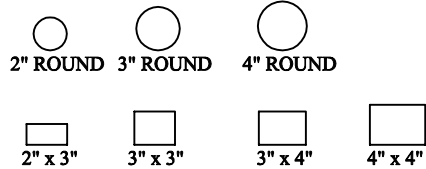
FRONT VIEW



SIDE VIEW

RUTLAND RESERVES THE RIGHT TO CHANGE OR MODIFY. DIMENSIONS SHOWN ARE FOR REFERENCE ONLY

PLEASE CIRCLE OUTLET:



Name:	Item: LH001 MARLOW
Date:	Material:
Approved by:	Notes:
Signature:	

CUSTOM ORDERS CAN NOT BE RETURNED