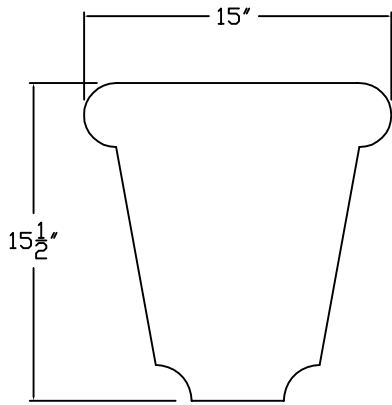


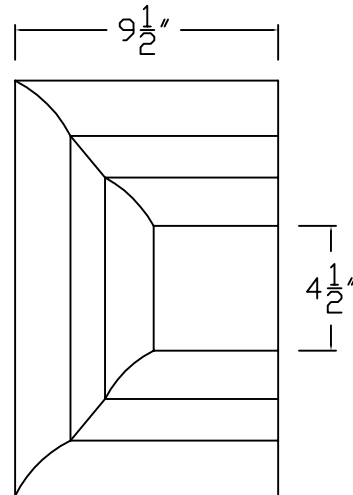
# RUTLAND GUTTER SUPPLY LLC

sales@rutlandguttersupply.com Ph: 407-859-1119 Fax: 407-859-1123

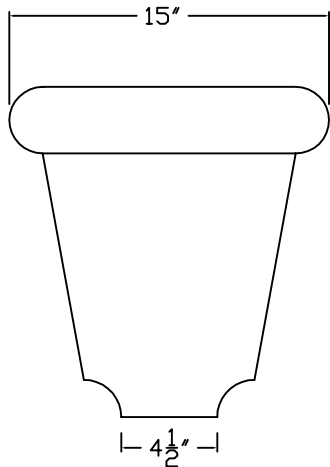
## LH011 HIGHDOWN



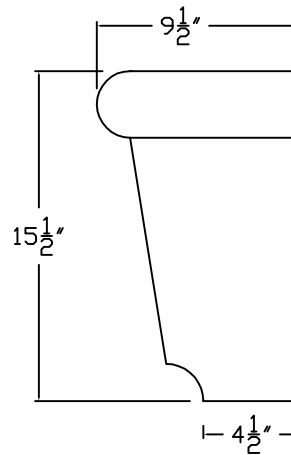
BACK VIEW



TOP VIEW



FRONT VIEW



SIDE VIEW

**PLEASE CIRCLE OUTLET:**

2" ROUND   
  3" ROUND   
  4" ROUND

2" x 3"   
  3" x 3"   
  3" x 4"   
  4" x 4"

BLANK OPTIONAL    CUSTOM: \_\_\_\_\_

**RUTLAND RESERVES THE RIGHT TO CHANGE OR MODIFY. DIMENSIONS SHOWN ARE FOR REFERENCE ONLY**

<b>Name:</b>	<b>Item:</b> LH011 HIGHDOWN
<b>Date:</b>	<b>Material:</b>
<b>Approved by:</b>	<b>Notes:</b>
<b>Signature:</b>	

**CUSTOM ORDERS CAN NOT BE RETURNED**