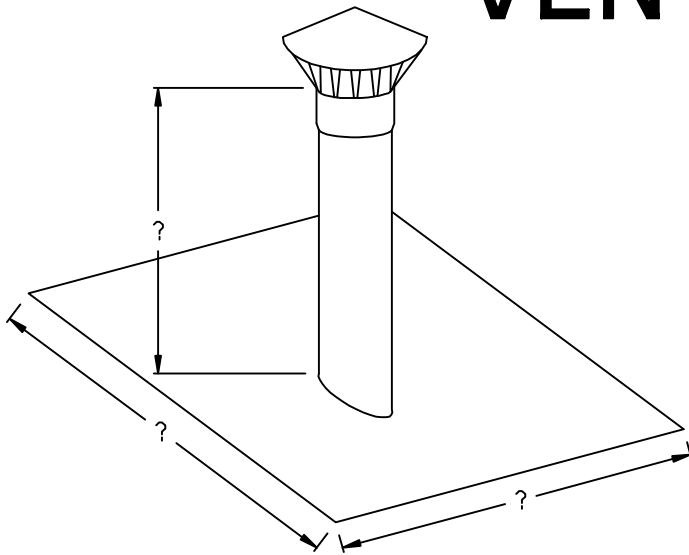


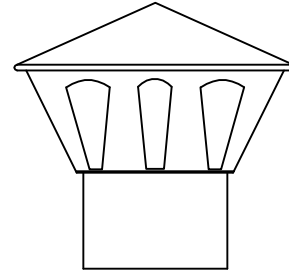
RUTLAND GUTTER SUPPLY LLC

rutlandguttersupply@yahoo.com Ph: 407-859-1119 Fax: 407-859-1123

VENT CAP



ISO VIEW



FRONT VIEW

SIZE	PITCH	PIPE HEIGHT
2"		
3"		
4"		
5"		

To determine roof pitch:
Use a straight edge atleast 12" long,
Put corner on roof, holding vertically
level.
At the 12" point, measure down. This
is your roof pitch.

EXAMPLE: 12"



Company:

Item:

Invoice:

Material:

PO#:

Notes:

Architect:

Contractor:

Date:

Approved by:

Signature:

CUSTOM ORDERS CAN NOT BE RETURNED