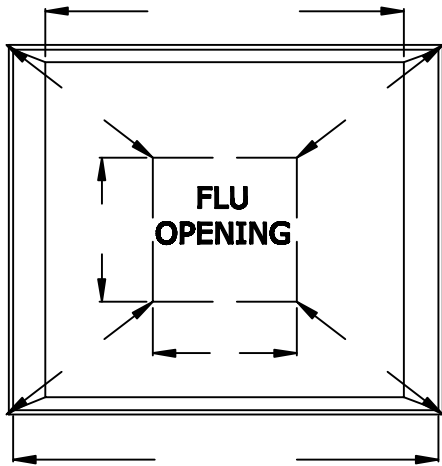


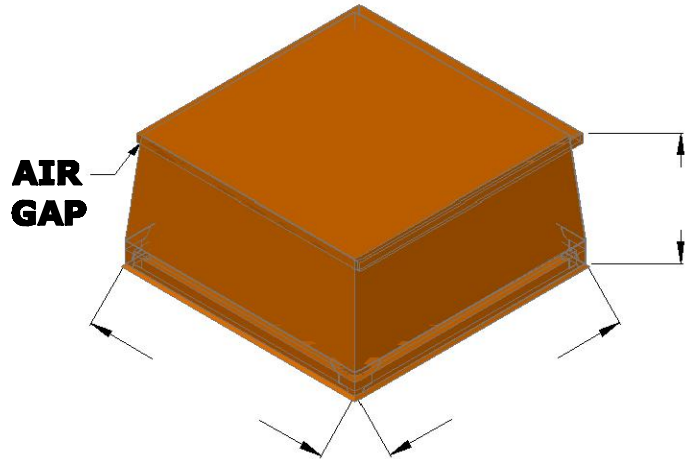
RUTLAND GUTTER SUPPLY LLC

rutlandguttersupply@yahoo.com Ph: 407-859-1119 Fax: 407-859-1123

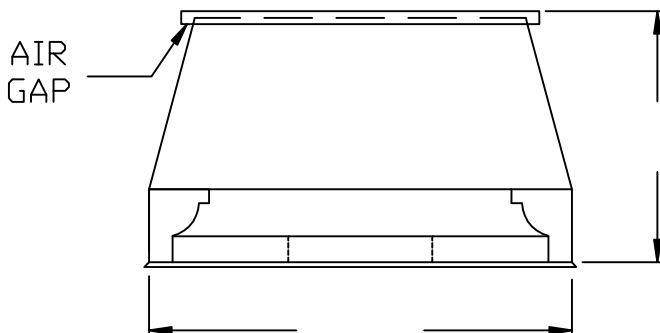
CC004 ORDER FORM



PLAN VIEW



ISO VIEW



SIDE VIEW

*** PLEASE FILL IN MISSING DIMENSIONS***

Company:

Item: CHIMNEY CAP 004

Invoice:

Material:

PO#:

Notes:

Architect:

Contractor:

Date:

Approved by:

Signature:

CUSTOM ORDERS CAN NOT BE RETURNED