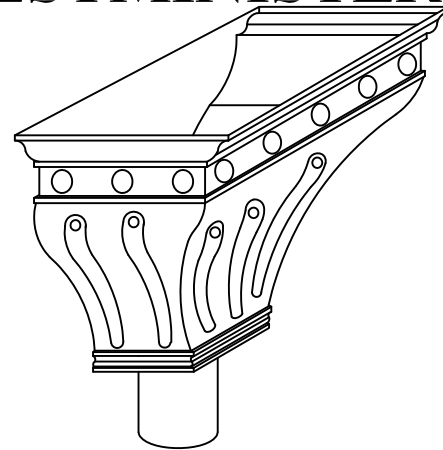
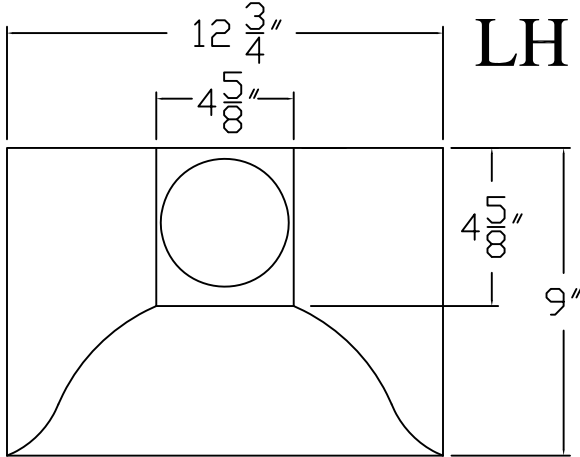


RUTLAND GUTTER SUPPLY LLC

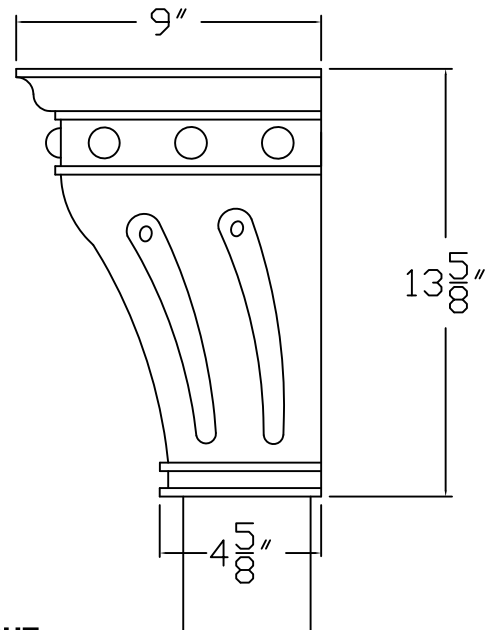
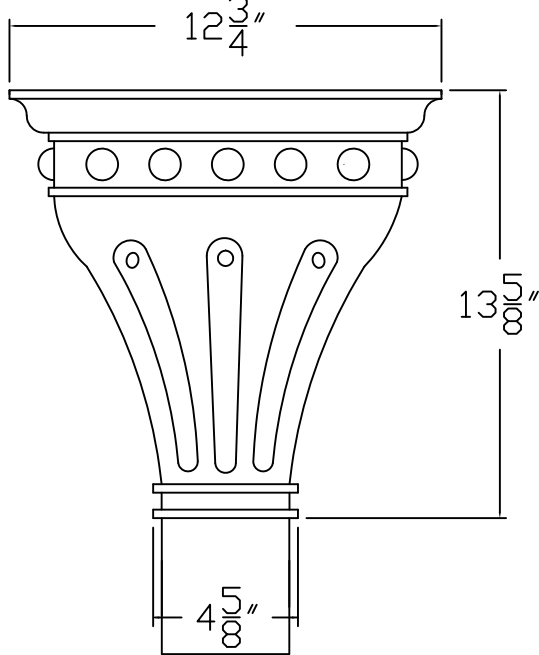
sales@rutlandguttersupply.com Ph: 407-859-1119 Fax: 407-859-1123

LH 067 WESTMINISTER



TOP VIEW

ISO VIEW



FRONT VIEW

RUTLAND RESERVES THE RIGHT TO CHANGE OR MODIFY. DIMENSIONS SHOWN ARE FOR REFERENCE ONLY

SIDE VIEW

Company:	Item: LH067
Invoice:	Material: COPPER
PO#:	Notes:
Architect:	
Contractor:	
Date:	
Approved by:	
Signature:	

CUSTOM ORDERS CAN NOT BE RETURNED